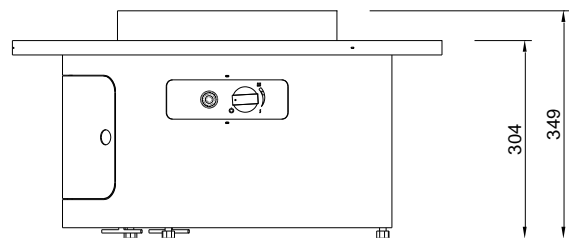
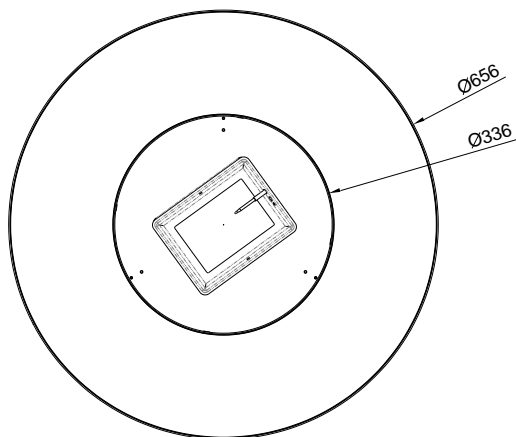
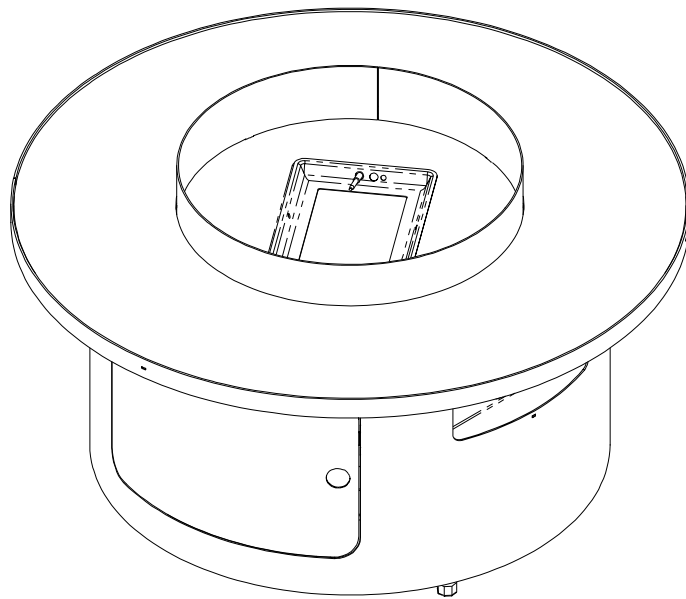


planika

INSTALLATION AND USER'S MANUAL

Dot

G30/G31 (Propane-Butane/Propane)



IT IS OBLIGATORY TO READ AND KEEP THIS INSTRUCTION MANUAL.

TABLE OF CONTENTS

1. INTRODUCTION	3
2. SAFETY INSTRUCTIONS.....	3
2.1 Safety instruction regarding the use of the gas cartridges	4
3. INSTALLATION	4
3.1. Box contents	4
3.2. Unboxing and installation	5
3.3. Steel grate assemble (optionally).....	6
3.4. Gas cartridge connection	6
3.4.1. Connection of the gas cartridges	6
4. OPERATING INSTRUCTIONS	7
4.1. General Notes	7
4.2 Start-up of the device	7
4.3 Regulation of the flame size.....	8
4.4 Device shutdown.....	8
5. TESTING.....	9
5.1 Checking for gas leaks	9
5.2 Checking the flame appearance.....	9
6. MAINTENANCE AND UPKEEP	10
6.1. Testing and cleaning	10
7. WARRANTY.....	10
8. TROUBLESHOOTING.....	11
9. MANUFACTURER'S CONTACT DETAILS	11
10. TECHNICAL SPECIFICATION.....	11

1. INTRODUCTION

The Dot fireplace is a decorative fuel-effect gas appliances destined only for outdoor use. It is obligatory to acquaint oneself with the below installation manual and user's manual before committing to the installation and use of The Dot fireplace. This manual is to be kept safe for the lifetime of the device.

WARNING! The device must be installed by the installer who is certified and qualified specialist in gas heating and should have all the qualifications required by local law. Failing to comply with the above condition may result in voiding the warranty.

2. SAFETY INSTRUCTIONS

- Read the instructions before using the appliance.
- Use outdoors only.
- The Dot fireplace should be installed and controlled annually according to the below installation manual as well as enforced national and local laws regarding gas safety (installation and use).
- One needs to assess whether the data on the product plaque complies with the local type of gas and pressure.
- Do not change the structure of the device or its sealed elements nor modify the default settings of The Dot fireplace.
- Do not set any additional imitation blocks nor any glowing coal fragments on the burner or in the combustion chamber. Only use manufacturer-approved decorative accessories for Planika fireplaces
- A CO2 or a powder fire extinguisher needs to be placed near the device.
- During the first ignition The Dot fireplace needs to be burnt on maximum level for a few hours in order for the elements to acquire correct temperature and for the remains of paint, lacquer and lubricant to evaporate.
- Do not move the device while it's working.
- Dot has been designed for decorative purposes. Surface of The Dot may get hot (up to 100 degrees Celsius) with the exception of the side walls and table of the appliance as well as the control panel. **WARNING!!!** Parts of the device that are easy to reach may be very hot. Keep children away from the device.
- This appliance must be kept away from flammable materials during use. Do not place any combustible materials within a distance of 1 m of Dot and 2 m over the appliance (Fig. 1).

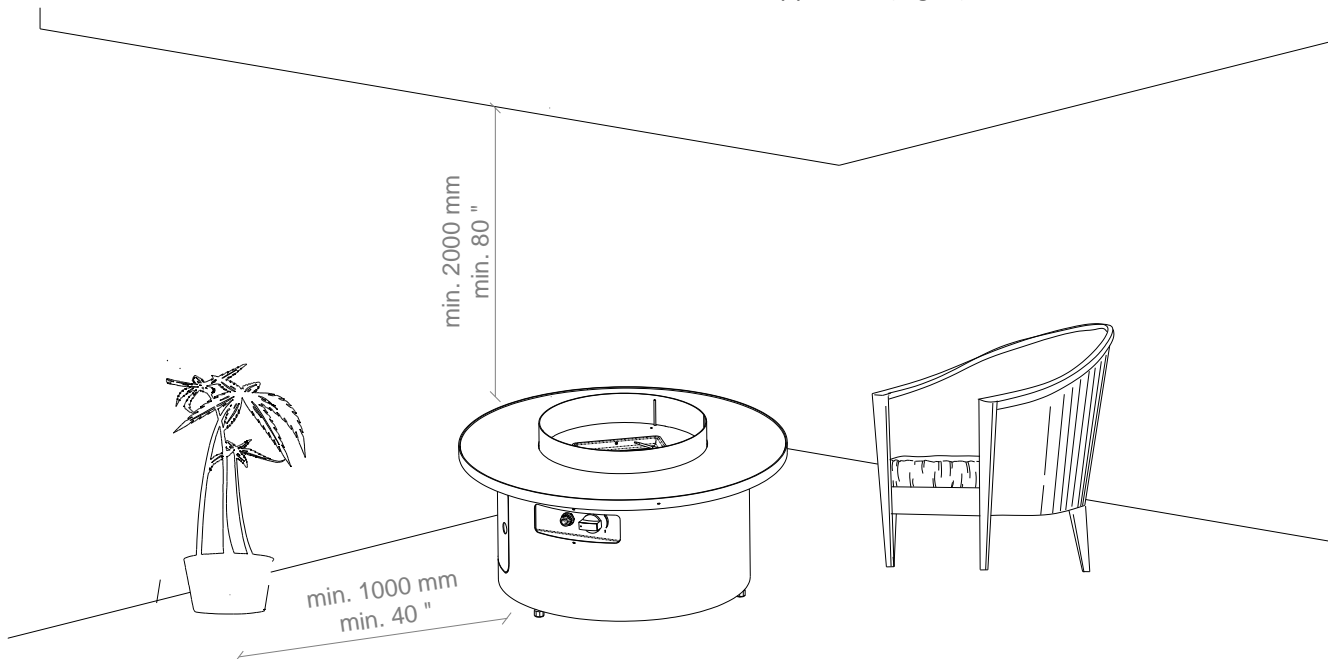


Fig. 1: Minimum distance to flammable materials

- An amply ventilated area must have a minimum of 25 % of the surface area open. The surface area is the sum of the walls surface.
- When The Dot fireplace is on it's not to be exposed to rain.

- When not being used The Dot is to be protected from atmospheric conditions and the main valve of the gas cartridge needs to be turned off.
- If The Dot is not in use for a longer period of time (e.g. winter time), we advise you to store it inside.
- The Dot fireplace's parts are made of stain resistant material.
- Never leave a turned on Dot without supervision.
- The Dot fireplace needs to be installed in a place inaccessible for children, unauthorised persons or animals for the direct contact with the flame or hot parts of the device to be impossible.
- In case of heavy wind The Dot fireplace needs to be immediately turned off and one needs to wait until the heavy wind passes.
- In case of noticing any sort of gas leaks the fireplace as well as the main valve of the gas cartridge need to be turned off.
- After use turn off the gas cartridge valve.
- Salty seawater environment accelerates the corrosion process and contributes to fireplace damage

2.1 Safety instruction regarding the use of the gas cartridges.

- Use only the type of gas and pressure specified by the manufacturer.
- The gas cartridges should always be placed in a vertical position – during use and transport.
- Always store the gas cartridge in an easily accessible place to allow its immediate turn-off.
- During the installation process do not allow an open flame or any ignited object to reach the gas cartridge.
- Leaks should be found with the use of a cleaning liquid and water. If bubbles form on the surface that means that there's an existing leak.
- Always use a pressure regulator between the gas cartridge and the device. Replace the pressure regulator every 5 years. The allowed pressures are: 29mbar. Use only regulators complying with the European EN16129 Norm.
- Use only approved and certified gas connection linkage. Replace the linkage every 2 years.
- The elastic linkage connecting gas to the fireplace is to be led away from sharp edges and hot surfaces. Refrain from bends and twists of the elastic connection on its full length.
- The gas cartridge needs to be shut if the fireplace is not being used.
- Filling the gas cartridges is to be commissioned to certified gas filling stations.
- Replacement of empty cartridges for full ones is to be conducted only in authorised locations

3. INSTALLATION

3.1. Box contents

- 1x complete Dot gas fireplace
- 1x AAA Batteries
- 3x bags of decorative stones
- 1x grate
- 2x gas cartridge 450g
- 3x stands with plastic sleeves
- 1x round table
- 1x burner collar
- 1x round top plate
- 3x table stands with M4 screws
- 1x spanner wrench
- 1x 0,8 metre rubber gas linkage – installed
- 1x pressure regulator (29mbar) – installed
- 1x installation manual and user's manual

3.2. Unboxing and installation

- The contents of the boxes need to be carefully unwrapped from the foam foil.
- Remove the bags with decorative stones from the burner reservoir and place them away from it.
- Remove the styrofoam placed on the unit.
- Cut the transportation clamps holding the unit and place them away.
- Check the completeness of the elements with the contents list.
- Make sure that the device nor its elements weren't damaged during the transportation (if they were, notify the supplier).
- Place Dot on a flat, paved surface outside of the building, preferably on the place of final installation. Leave sufficient space on the side of the appliance where control panel is located (minimum 1 m).
- Assemble the wheels and stands in pre made holes screwing them in using spanner wrench added with the fireplace. Before assembling the stands put on plastic sleeves.

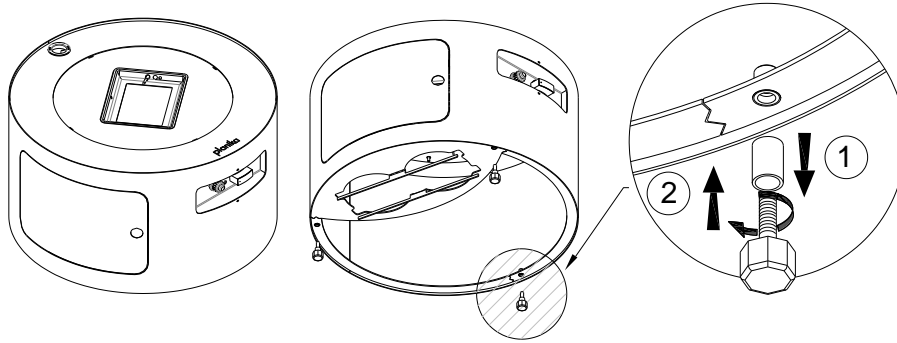


Fig. 2 – Assembling the stands

- Assemble the table stands by feeding them through pre made holes from the bottom of the fireplace (you can use revision door to get access to the bottom). Tighten the table stands using M4 screw screwing it from the top of the burner. Assemble the burner collar.

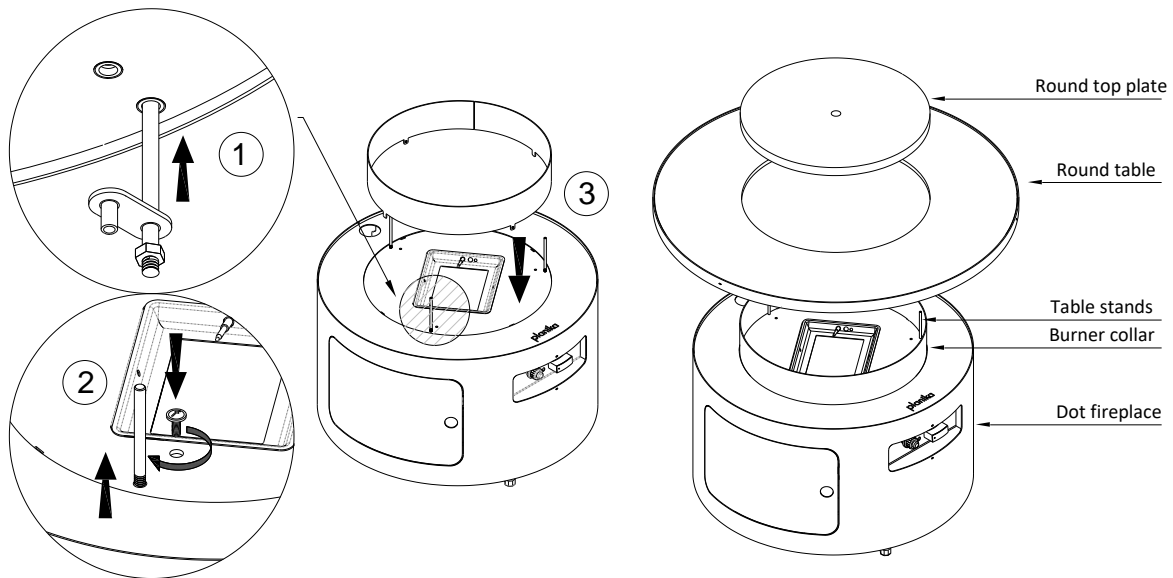


Fig. 3 – Assembling the round table and burner collar

- The decorative stones are to be scattered evenly around the reservoir to completely cover the burner of the fireplace.



Fig. 4 – Dot top view with ignition elements detail

- If all the points were completed according to the instruction the gas cartridge can be now connected

3.3. Steel grate assemble (optionally)

- Locate the steel grate in the middle of the burner if you are going to use the fireplace as cooking station.

WARNING!!! Do not place cooking pan directly on the burner nor its collar. Do not use steel grate without cooking pan.

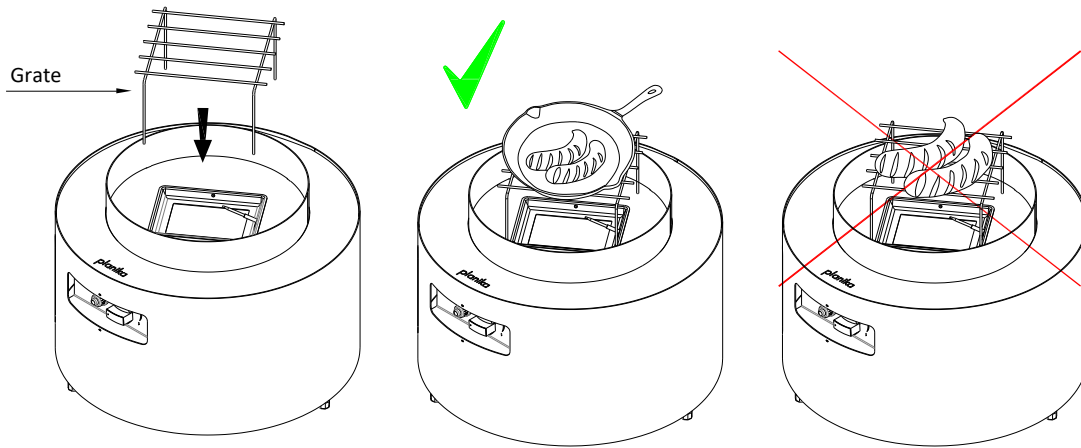


Fig. 5 – Dot as cooking station

3.4. Gas cartridge connection

WARNING!!! The montage and service needs to be conducted by a qualified professional, a company or the gas supplier.

- Open the revision door and pull the pressure reducer out
- Connect the gas cartridges into inlet by rotating them clockwise

WARNING!!! Make sure that fireplace is turned off and gas valve is closed during the replacement.

- Put the cartridges and pressure reducer inside the fireplace

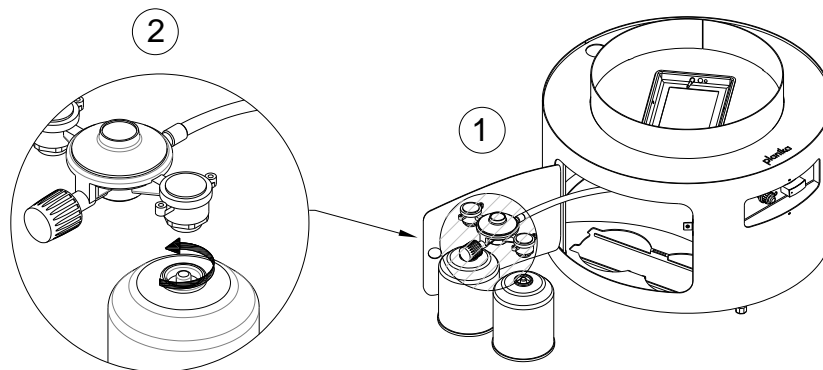


Fig. 6 – Gas cartridges replacement

3.4.1. Connection of the gas cartridges

The Dot is delivered together with an elastic gas linkage which, on one end is connected to the valve of the device and on the other end to the gas regulator ready to be connected to the gas cartridge.

Gas regulator supplied with the device would be equipped with **UNEF 28 7/16" thread** (in accordance to EN16129:2013) to connect the gas cartridge. Inlet dedicated for gas hose would be equipped with **G1/4" LH**

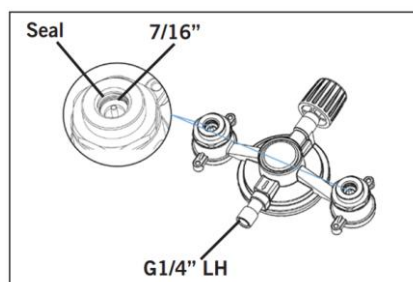


Fig. 7 – Gas regulator

WARNING!!! NEVER use an unstable gas connection or a regulator for other gas pressure.

WARNING!!! Check the gas connection for leakage. If anything suggests a leak is present (for instance a characteristic gas smell) close the gas valve and under no circumstances turn the device off before removing the leak. After removing the leak one may open the gas valve again.

4. OPERATING INSTRUCTIONS

4.1. General Notes

The Dot fireplace has a control valve with a built-in ignition for the main burner (without pilot flame). The flame height of the main burner may be appropriately regulated by turning the knob. Next to the knob is placed elective ignition button (powered by AAA battery). The control panel is placed on side of the fireplace.



Fig. 8– Control knob and ignition button

4.2 Start-up of the device

- Make sure that the knob is placed in „OFF” position (all the way clockwise).

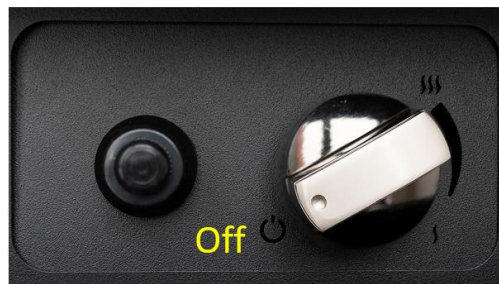


Fig. 9– Off position

- Open the valve on gas reducer
- Press the knob and while still pressing turn it counter-clockwise from position (1) to position (2)



Fig. 10– Turning the device on

- While keeping the knob still pressed start the flame by pressing the ignition button (3).



Fig. 11– Ignition sequence

- A spark will appear which ignites the main burner on the minimum flame height. If the flame did not ignite repeat this process 2-3 times. This will be required especially when you have replaced and installed a new LPG gas cartridge.
- When the flame is ignited keep holding the knob for around 5 seconds until the thermo-couple, which will keep the main valve in an open position, warms up.
- You may now release the knob. If however the flame is extinguished repeat the process once again until a stable flame is achieved.

WARNING!!! After 2-3 unsuccessful attempts terminate and check the connections. Try again in 10 minutes. If the installed gas cartridge is new or the fireplace has not been used for a longer period, the first thing that needs to be done is to release air from the gas linkage. In this case conducting a few attempts will be needed until the flame is ignited.

4.3 Regulation of the flame size

- When the flame is burning the desired height of the flame may be adjusted and regulated by turning the knob clockwise or counter-clockwise.
- To achieve a higher flame turn the knob clockwise to “Hi” position. To achieve a lower flame turn the knob counter-clockwise to “Lo” position (*Fig. 12*).



Fig. 12– Flame regulation

4.4 Device shutdown

- To turn off the device, simultaneously press and turn the knob all the way clockwise. The gas supply will be cut and the flame on burner will be turned off.

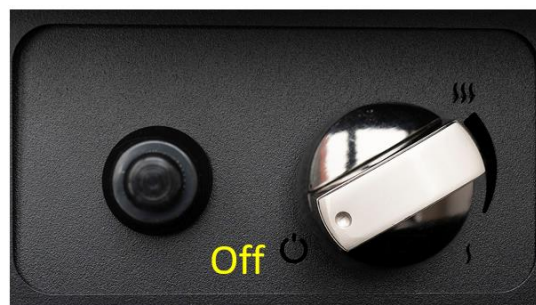


Fig. 13 – Turning the device off

- Additionally, close also the valve on the gas reducer.

4.5 Replacing the battery

If the battery is inserted incorrectly, the electronic ignitor may be irreparably damaged. Only replace the battery when the appliance has been completely switched off.

The battery is placed in the container located on the control pane next to the flame regulation knob

- Unscrew the ignition button
- Remove the battery and place the new one into the slot.

WARNING! Remember about proper polarization of the battery.

- Screw the cover of the battery container.

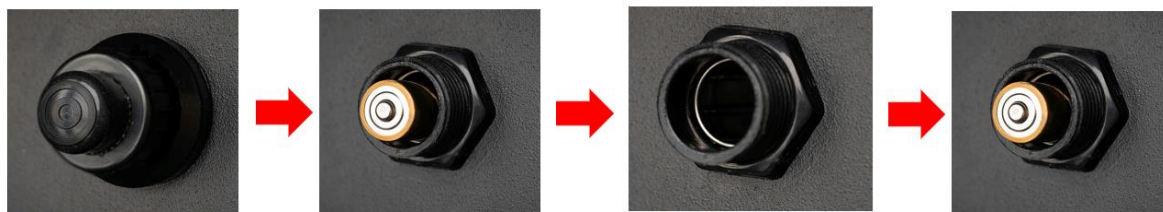


Fig. 14 – Replacing batteries

5. TESTING

WARNING!!! NEVER TURN ON THE DEVICE IF THE CHARACTERISTIC SMELL OF GAS IS PERCEPTIBLE.

If you smell gas during the operation of the fireplace turn off the device immediately and cut off the gas supply from the gas cartridge by shutting its valve.

5.1 Checking for gas leaks.

- Check if all connections are airtight.
- To do that apply all connections with soapy water (or water with another foamy substance) or with a professional spray for leak detection.
- If air-bubbles are present that means the connection has a leak.
- Remove the leaks in the identified spaces.
- Check for leaks once again.
- After the inspection dry the inspected connections.
- The device may only be used again after all leaks are removed.
- **If the problem happens again please contact the dealer.**

5.2 Checking the flame appearance.

- Burn The Dot on max flame height and check the appearance of the flame.
- If visible gaps are present or there are substantial differences in flame height turn off the fireplace and after the device is cooled adjust the placement of decorative stones in such a way for them to be evenly placed on the whole surface of the main burner.
- Turn on the fireplace and check the appearance of the flame once again.

6. MAINTENANCE AND UPKEEP

6.1. Testing and cleaning

Please check and clean if necessary:

- The main burner - if necessary, remove broken parts of stones and the existing dust.
- Thermo-couple (if necessary, remove the existing sediment). In the event of visible damage contact your dealer.
- Gas linkage and pressure regulator (in case their expiry date is invalid replace these ancillaries for new ones).
- If you encountered problems with the regulator, gas linkage, burner or regulation valves do not try to fix these parts. Contact a sales person, an authorised service or an importer in order to acquire spare parts. To ensure the device is working efficiently use only original spare parts.

7. WARRANTY

Planika Sp. z o.o. grants the Client guarantee of quality for the smooth operation of the goods specified on the sales document. The warranty is determined for a given period from the date of purchase (based on the warranty card together with the receipt of purchase). The warranty period starts at the moment of purchase of the original product by the first end user. Product may consist of several separate parts and different parts may be covered by a different warranty periods. The manufacturer gives 2 year warranty from date of purchase an insert for its smooth operation. Fireplace sealing is covered by warranty for a period of 1 year from date of purchase of the device. Guarantee does not cover decorative ceramic logs/stones and glass elements (glass shield and glass top). The use of the fireplace insert and operating conditions must be in accordance with the user manual and with the regulations in force. The basis for the free repair covered by warranty is a warranty card. Warranty Card will expire without a date, stamps, signatures, as well as the amendments made by unauthorized persons. Customer entitlement under the guarantee will expire automatically: after the warranty period. Any damages caused by improper handling, storage, of poor maintenance, incompatible with the conditions laid down in the manual and due to other reasons not due to the fault of the manufacturer, will void the warranty. In the event of a complaint, always contact your dealer. Supplier will contact the company Planika, if it deems it necessary. Factory Warranty is valid for 2 years from the date of purchase. Details of the warranty are available on the <https://www.planikafires.com/warranty-cards/>

8. TROUBLESHOOTING

Warning! Montage, upkeep and service need to be conducted by a qualified professional with appropriate qualification, an appropriate company or the gas supplier.

PROBLEM	POSSIBLE CAUSE	CORRECTIVE ACTION
SMELL OF GAS	CLOSE THE VALVE ON THE GAS CARTRIDGE IMMEDIATELY. DO NOT USE THE DEVICE UNTIL LEAKS HAVE BEEN REMOVED.	
Leak detected at cartridge, regulator or other connection.	<ol style="list-style-type: none"> 1. A loose regulator linkage. 2. Leak in the gas linkage, in the regulator or on the gas knobs. 	<ol style="list-style-type: none"> 1. Tighten and test it. 2. Report this issue to service.
Burner does not ignite	<ol style="list-style-type: none"> 1. The cartridge is empty. 2. Igniter linkage is not connected. 3. No ignition spark. 4. The igniter electrode is placed incorrectly opposite the igniter. 5. Gas nozzles are blocked. 6. Gas linkage is twisted. 7. Pressure regulator link is loose. 	<ol style="list-style-type: none"> 1. Replace Gas cartridge. 2. Connect the igniter linkage. 3. Replace igniter. 4. Realign electrode and clear any surrounding debris from area. 5. Unmount burner, clean the nozzle. 6. Straighten the linkage. Keep the linkage away from the housing. 7. Tighten the link. Check for leaks.
Igniter Not Working	<ol style="list-style-type: none"> 1. Igniter wire not connected. 2. Electrode misaligned on pilot burner 3. Igniter malfunction 4. The battery has run out 	<ol style="list-style-type: none"> 1. Ensure pilot electrode wire is connected. 2. Realign electrode and clear any surrounding debris from area. 3. Replace Igniter 4. Replace battery
Low efficiency, „cracking” sounds	<ol style="list-style-type: none"> 1. The cartridge is empty. 2. The nozzles of the burner are blocked. 	<ol style="list-style-type: none"> 1. Replace Gas cartridge. 2. Unmount the burner, clean the nozzle.
Thumping sounds made by the regulator.	The gas valve has opened rapidly.	Unfasten the regulator valve slowly.
A vivid/ bright orange and smoky flame of the burner.	Holes blocked in the apparatus producing the gas and air mixture.	Unmount the burner and clean/ unblock the apparatus' holes.

9. MANUFACTURER'S CONTACT DETAILS

Company Name: Planika Sp. z o.o.
Address: Bydgoskich Przemysłowców 10
Telephone: + 48 52 364 11 60

10. TECHNICAL SPECIFICATION

Appliance Category		I3P	I3B/P	I3+
Reference gas		G31	G30	G30
Inlet pressure	[mbar]	30	30	28-30
Injector diameter	[mm]	1,3	1,3	1,3
Gas consumption	[kg/h]	0,43	0,43	0,43
Nominal Heat Input (Hi)	[kW]	5,5	5,5	5,5
Safety device	Thermocouple			
Gas control valve	BS190			
Flexible hose (0,85 m)	Ø8mm			

SELLER	
Name:	Seller's seal and signature
Address:	
Tel/fax:	
Date of sale:	
BUYER	
Name:	
Address:	
Tel/fax:	
Date of purchase:	
<p>The gas fireplace should be installed by a qualified Installer in accordance with the applicable national building regulations and in accordance with the guidelines contained in the Installation and User's Manuals.</p>	
<p>I hereby declare that having read the User's Manual and the Guarantee Conditions.</p>	
<p style="text-align: center;">Date and legible signature of the Buyer</p>	
INSTALLER	
Name:	Installer's seal and signature
Address:	
Tel/fax:	
Date of commissioning:	
<p>I hereby declare that the gas fireplace installed by my Company has been installed in accordance with the applicable building regulations and in accordance with the guidelines contained in the Installation and User's Manuals.</p> <p>The installed gas fireplace is ready for safe operation.</p>	