

BIO331 // Round 5.0 Liter Bioethanol Burner

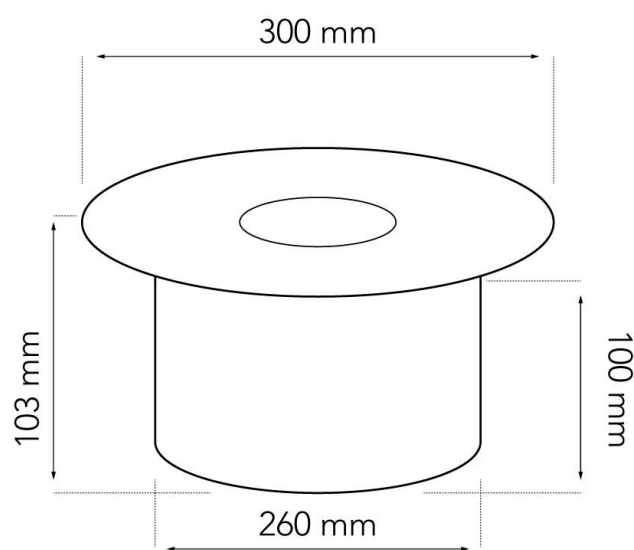
Technical Specifications

Fireplace Type	Bioethanol Burner
Fuel	Bioethanol, max. 97.5% alcohol
Weight	2.5 kg.
Materials	Stainless Steel
Size	Height: 103 / Diameter: 300 mm.
Colour	Steel
Burner type	Manual
Capacity	5.0 liters
Adjustable flame	No
Burn time	Up to 10 hours
Requires electricity	No
Heat effect	4.34 kW/h

Pictures



Technical Drawings



www.biofireplacegroup.com

Date of publication: 24/09-2018